

Compact Square Drive Torque Wrench

Series : ITX



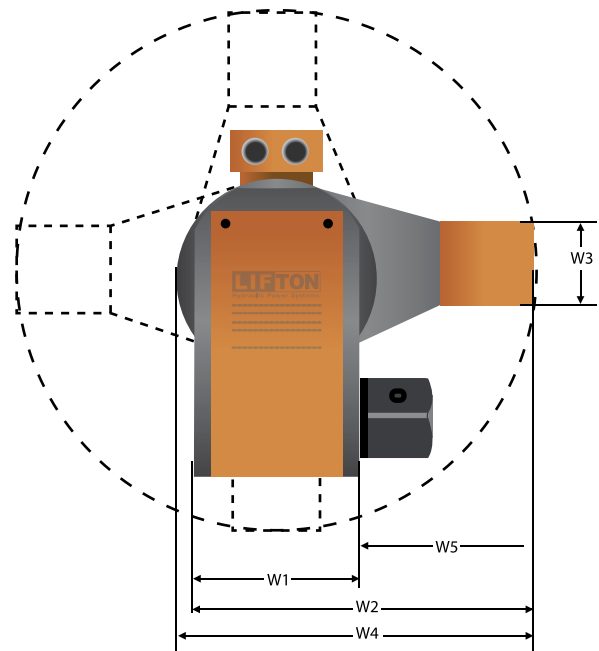
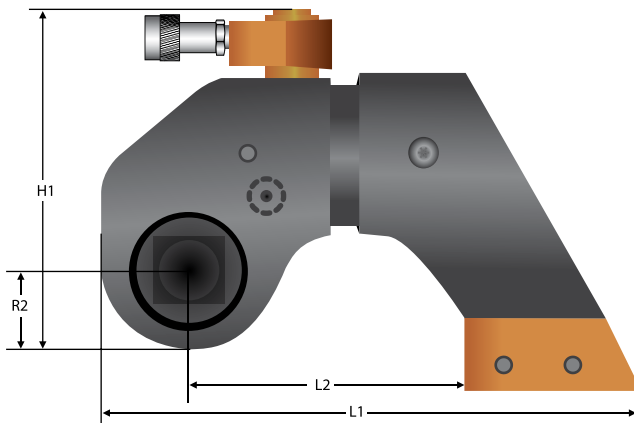
Square Drive Type Hydraulic Torque Wrench

- Compact, light weight and high strength design.
- The 360° x 180° Swivel coupler helps to position the tool easily.
- Multi-Position reaction arm.
- Consistent torque output.
- Push through square drive for fast changing from tightening and loosening.
- 700 Bar working pressure.
- Design to use on tough bolting jobs.
- Efficient mechanical design for simple and inexpensive tools services.



All models are supplied with threaded type quick release coupler,

(Model FCF-142 & MCM-142)



Model	Square Drive Size	Max. Torque	R1	R2	L1	L2	H1	W1	W2	W3	W4	W5	Weight (Kg)
		Nm ft.lbs.											
ITX-1	3/4"	1,674 1,235	.99" 25.1mm	1.17" 29.7mm	7.74" 196.6mm	4.46" 113.3mm	4.92" 124.9mm	1.97" 50.0mm	2.75" 69.7mm	4.36" 110.7mm	4.65" 118.1mm	1.00" 25.4mm	1.8
ITX-3	1"	4,203 3,100	1.31" 33.3mm	1.56" 39.6mm	10.15" 257.8mm	5.79" 147.1mm	6.39" 162.3mm	2.63" 66.8mm	3.69" 93.7mm	5.82" 147.8mm	6.20" 157.5mm	1.34" 34.0mm	4
ITX-7	1.1/2"	11,493 8,437	1.85" 47.0mm	2.12" 53.8mm	13.49" 342.6mm	7.56" 192.0mm	8.51" 216.5mm	3.57" 90.7mm	5.07" 128.9mm	7.86" 199.6mm	8.38" 212.9mm	1.81" 46.0mm	8.7
ITX-11	1.1/2"	14,839 10,945	1.97" 50.0mm	2.35" 59.7mm	15.01" 381.3mm	8.51" 216.5mm	9.08" 230.6mm	3.95" 100.3mm	5.50" 139.7mm	8.72" 221.5mm	9.30" 236.2mm	2.00" 50.8mm	13
ITX-21	2.1/2"	25,917 19,116	2.29" 58.2mm	2.72" 69.1mm	18.31" 465.1mm	10.51" 266.9mm	18.31" 465.1mm	4.73" 120.1mm	7.13" 181.1mm	10.46" 265.7mm	11.10" 281.9mm	2.39" 60.8mm	23