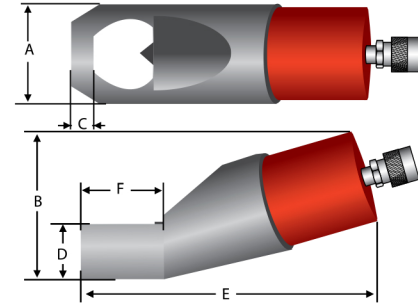


Nut Splitter

Series : LNS

Max. Working Pressure : 700 Bar



- Angular head design provides easy access to confined spaces.
- Design to easily split corroded nuts by cold cutting method.
- Manufactured from high quality steel.

Model	Hex Size (mm)	Thread Size (mm)	A (mm)	B (mm)	C (mm)	D (mm)	E (mm)	F (mm)	Wt. (Approx.) Kg
LNS1018	10-18	M6-M12	40	52	8	20	130	30	1
LNS1824	18-24	M12-M16	54	67	12	24	163	41	2
LNS2432	24-32	M16-M22	64	79	13	30	187	52	3
LNS3241	32-41	M22-M27	78	94	20	37	219	69	4.5
LNS4150	41-50	M27-M33	95	113	21	45	265	78	9.6
LNS5060	50-60	M33-M39	106	128	25	54	297	91	13
LNS6075	60-75	M39-M48	156	185	27	75	357	110	34