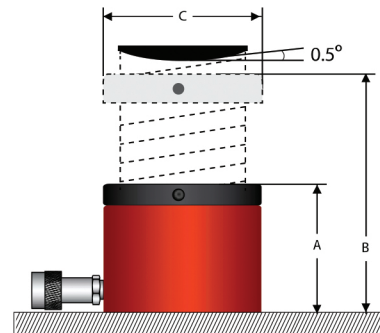


Series : LLR - Low Height Load Return

Capacity : 60- 520 Ton | Max. Working Pressure : 700 Bar



- Single acting and load return type.
- Threaded ram and nut for mechanical locking.
- Fitted with standard 3/8" NPT threaded female coupler.
- Ideal for long time load holding.



Model	Cylinder Capacity (Tons)	Stroke (mm)	Effective Area (cm ²)	Oil Capacity (cc)	Retracted Height (mm)	Extended Height (mm)	Cylinder Outer Dia (mm)	Metric Ton @700Bar	Weight (kg)
					A	B	C		
LLR6050	60	50	86.6	432	125	175	140	61.79	15
LLR10050	100		146.8	734	137	187	175	104.75	26
LLR16045	160	45	227	1022	148	193	220	161.9	44
LLR25050	260		366.8	1650	159	204	275	261.73	74
LLR50050	520		730.6	3287	192	237	400	521.33	189