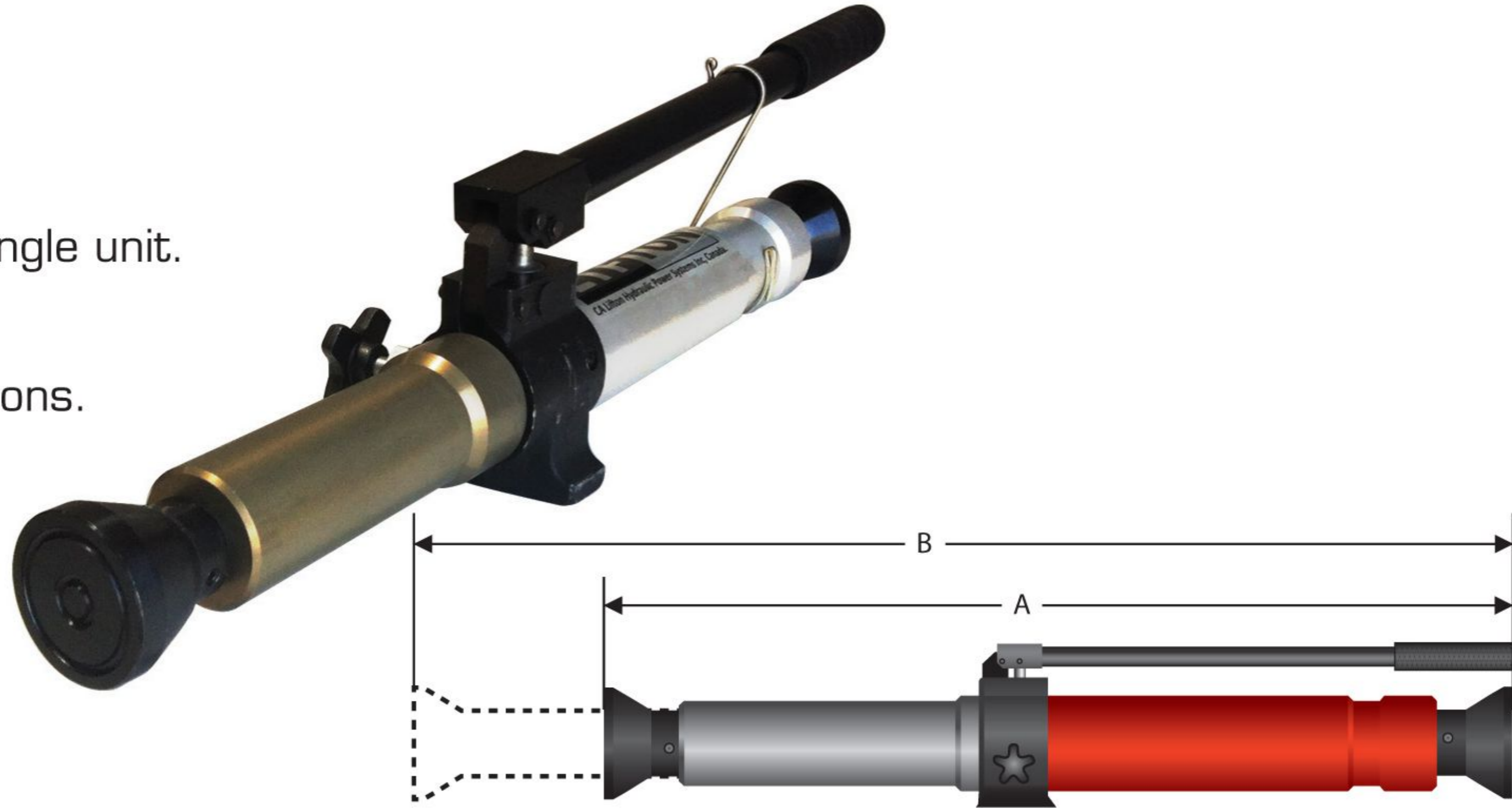


Welding Jack

Series : LWJ Capacity : 5 Ton | Stroke Length : 100 mm

- Cylinder and hand pump as a single unit.
- Works in all positions.
- Ideal for weld clamping applications.
- Adjustable front saddle.



Model	Cylinder Capacity (Tons)	Stroke (mm)	Retracted Height (mm) A	Extended Height (mm) B	Saddle Extension (mm)	Weight (Kg)
LWJ-580	5	100	580	680	*	5.4
LWJ-750	5	100	750	1050	200	7.6