

Slimline Torque Wrench

Series : ITZ

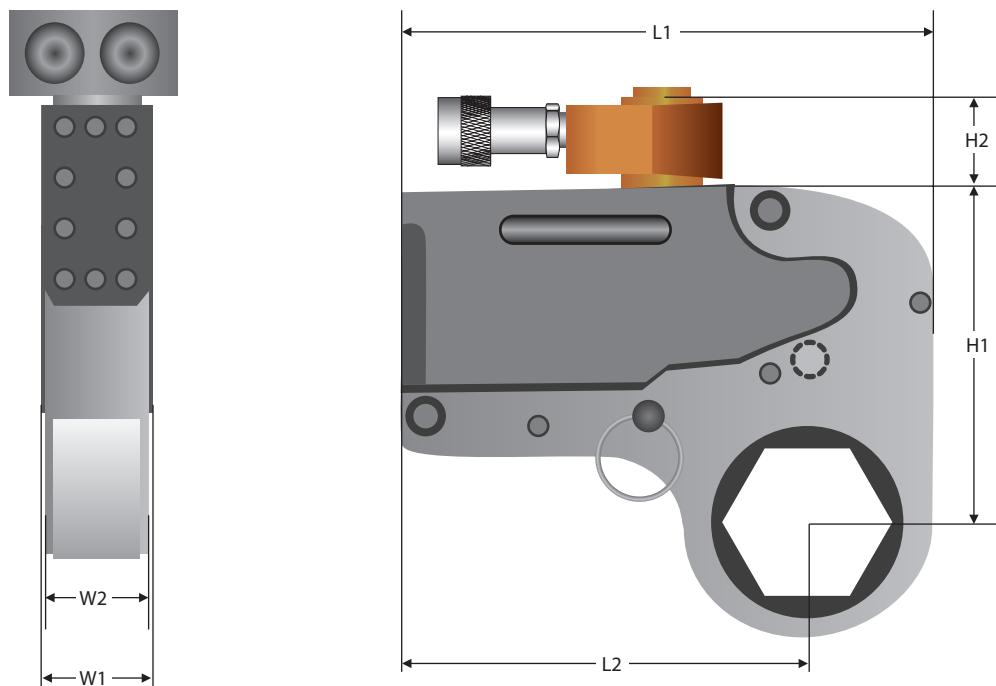
Low Clearance Type Hydraulic Torque Wrench

- Compact, low weight and high strength designs.
- The 360° x 180° Swivel couplers help to position the tool easily.
- One power head is suitable for different sizes of ratchet links.
- Low neck, short height and small radius make it accessible at difficult bolting areas.
- 700 Bar maximum working pressure.
- Consistent torque output.
- Easy fixing and removal of ratchet links.



All models are supplied with threaded type quick release coupler,

(Model FCF-142 & MCM-142)



Model	Max. Torque		Ratchet Link Size		Radius (R)	Overall Length (L)	Link Height (H1)	Swivel Height (H2)	Tool Width (W1)	Link Width (W2)	Weight (Kg)
	Nm	ft. lbs.	Inch	mm							
ITZ-2	2,542	1,875	1" - 2.3/8	24 - 60	0.38" 97 mm	6.97" 177.0 mm	3.73" 94.7 mm	1.09" 27.7 mm	1.25" 31.8 mm	1.13" 28.7 mm	1.3
ITZ-4	6,152	4,538	1.7/16" - 3.1/8	36 - 80	0.51" 12.9 mm	9.2" 233.7 mm	5.51" 140.0 mm	1.68" 42.7 mm	1.67" 42.4 mm	1.5" 38.1 mm	3.6
ITZ-8	11,264	8,308	2" - 3.7/8	50 - 100	0.72" 18.3 mm	11.62" 295.1 mm	6.53" 165.9 mm	1.68" 42.7 mm	2.10" 53.3 mm	1.89" 48.0 mm	5.44
ITZ-14	19,762	14,576	2.3/4" - 4.5/8	70 - 120	0.73" 18.5 mm	13.88" 352.6 mm	8.04" 204.2 mm	1.68" 42.7 mm	2.50" 63.5 mm	2.36" 59.9 mm	9.07
ITZ-20	26,680	21,891	2.15/16" - 5	70 - 130	0.92" 23.0 mm	10.93" 278.0 mm	8.87" 225.0 mm	1.68" 42.7 mm	3.00" 76.0 mm	2.89" 73.0 mm	15.87
ITZ-30	49,862	36,777	3.3/8" - 6.1/2	85 - 165	1" 25.0 mm	13.89" 353.0 mm	10.95" 278.0 mm	1.68" 42.7 mm	3.75" 95.0 mm	3.00" 76.0 mm	21.68