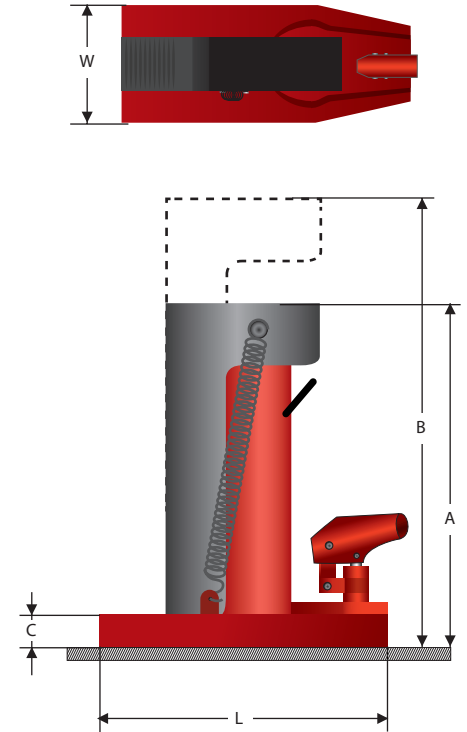


# Toe Jack

Series : LTJ



Toe Capacity : 2.5 - 25 Ton | Head Capacity : 5 - 50 Ton | Stroke Length for Toe : 50 mm



- Heavy duty construction.
- Ideal for limited space lifting jobs.
- Built-in pump design.
- Models are available with different capacities.
- Widely used for heavy machineries shifting, positioning and levelling jobs.

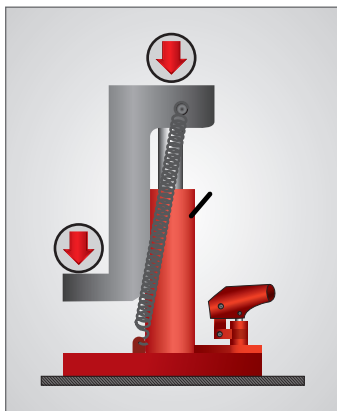
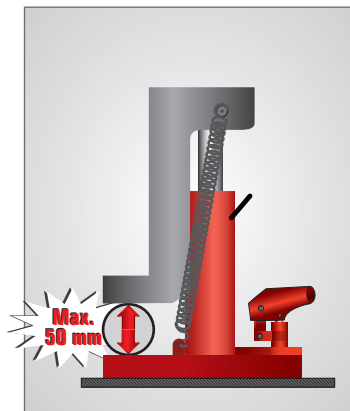
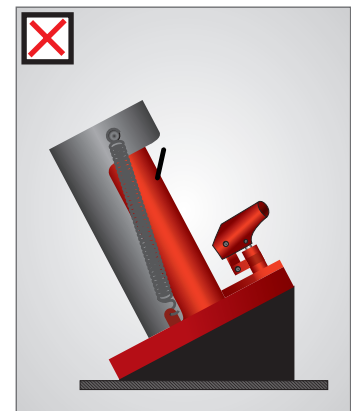


Figure shows the Head and the Toe loading points.



Keep the stroke max.50mm when lifting an object on the toe.



Keep the Jack even at all times on level ground while loading.

Model	Cylinder Capacity (Tons)		Stroke (mm)		Retracted Height (mm)	Extended Height (mm)	Base Dimension (mm)	Base Thickness	Weight (kg)
	Toe	Head	Toe	Head	A	B	W x L	C	
LTJ-52.5	2.5	5	50	120	237	363	170 x 230	19	11
LTJ-105	5	10		150	286	440	188 x 260	22	19.1
LTJ-2010	10	20		160	327	487	242 x 280	28	33.6
LTJ-3015	15	30		352	507	273 x 308	32	51.2	
LTJ-5025*	25	50		150	430	580	320 x 340	60	170

\*Operated with separate hand pump and hose