

Electro-Hydraulic Pump

Series : EDP

Working Pressure : 700 Bar | Material : Steel



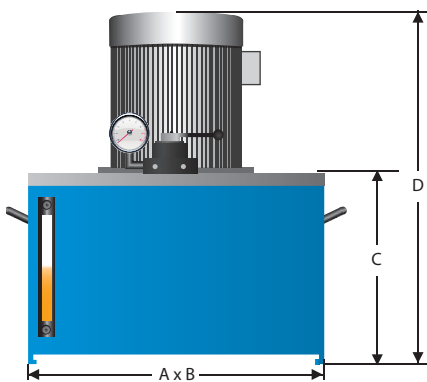
EDP-2M-3-25



EDP-2S-3-25



EDP-3M-3-50



Load Holding Valve

Pump mounted load holding block are available upon request. For ordering add suffix "L" along with the pump model number to add holding block.



Engine driven pumps and customized control panel are available upon request.

Model No	A x B	C	D
EDP 0.3	185 x 270	135	420
EDP 0.5	225 x 300	135	477
EDP 1	300 x 470	200	480
EDP 2	370 x 470	220	557
EDP 3	370 x 470	320	678

Model No	Valve Type	Oil Capacity (liters)	Motor (KW)	Flow Rate LPM		Voltage	Weight (Kg)
				Low	High		
EDP 0.3M-2-3	3/4Way Manual	3	0.3	2	0.2	220V	13
EDP 0.5M-2-5	3/4Way Manual	5	0.5	2	0.35	220V	18
EDP 0.5S-2-5	3/4Way Solenoid	5	0.5	2	0.35	220V	18
EDP 1M-2-10	3/4Way Manual	10	0.8	4	0.6	220V	49
EDP 1S -2-10	3/4Way Solenoid	10	0.8	4	0.6	220V	49
EDP 1M-2-25	3/4Way Manual	25	0.8	4	0.6	220V	62
EDP 1S -2-25	3/4Way Solenoid	25	0.8	4	0.6	220V	62
EDP 1M-3-10	3/4Way Manual	10	0.8	4	0.6	380V	50
EDP 1S -3-10	3/4Way Solenoid	10	0.8	4	0.6	380V	50
EDP 2S-2-25	3/4Way Solenoid	25	1.5	8	1.2	220V	65
EDP 2M-3-25	3/4Way Manual	25	1.5	8	1.2	380V	65
EDP 2S -3-25	3/4Way Solenoid	25	1.5	8	1.2	380V	65
EDP 2M-3-40	3/4Way Manual	40	1.5	8	1.2	380V	85
EDP 2S -3-40	3/4Way Solenoid	40	1.5	8	1.2	380V	85
EDP 3M-3-50	3/4Way Manual	50	2.2	12	1.8	380V	100
EDP 3S -3-50	3/4Way Solenoid	50	2.2	12	1.8	380V	100